

50 TON ALL TERRAIN CRANE

Demag AC50-1



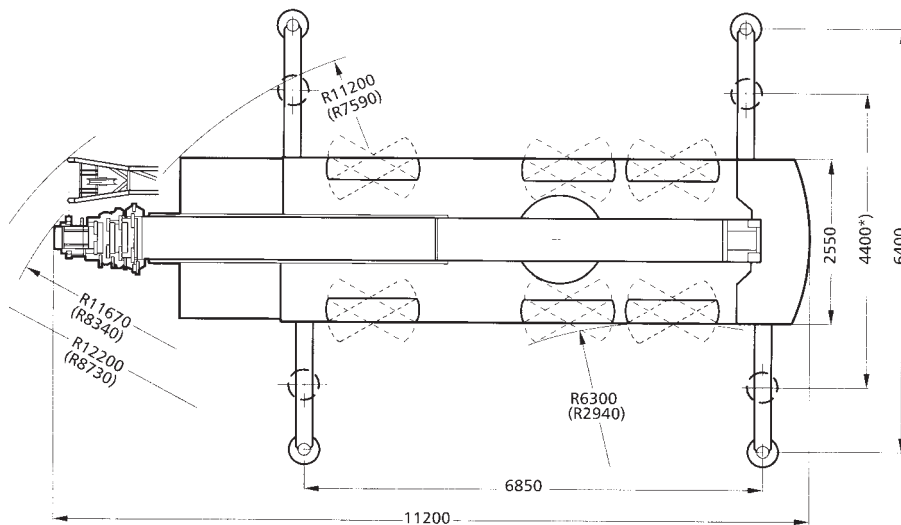
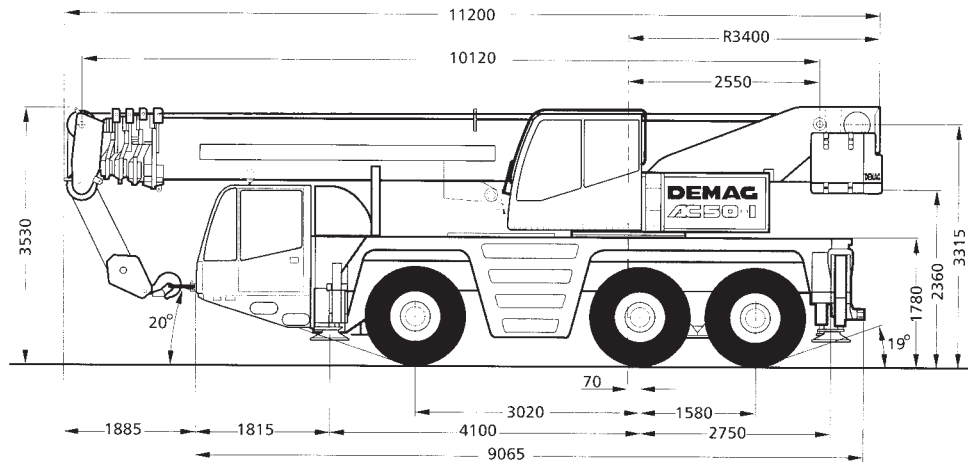
CRANE HIRE LTD.

Hire Desk Tel: +353 1 6268426

Fax: +353 1 6268061

50 TON ALL TERRAIN CRANE

Demag AC50-1



CRANE HIRE LTD.

Hire Desk Tel: +353 1 6268426

Fax: +353 1 6268061

50 TON ALL TERRAIN CRANE - DEMAG AC50-1

Lifting capacities main boom - 9.5T

9,5 t 

 6,85 x 6,40 m 360°

DIN/ISO 

Radius	Main boom							DIN/ISO	
	10.1	16.1	22.1	28.0	32.5	37.0	40.0	10.1	16.1
m	t	t	t	t	t	t	t	t	t
3	50.0	-	-	-	-	-	-	-	-
3	45.7	-	-	-	-	-	-	15.4	-
3.5	41.6	28.0	-	-	-	-	-	13.9	14.5
4	38.1	28.0	17.0	-	-	-	-	12.6	13.2
4.5	35.2	28.0	17.0	14.0	-	-	-	11.5	12.1
5	32.6	28.0	17.0	14.0	11.0	-	-	10.4	11.1
6	26.4	25.0	17.0	14.0	11.0	9.0	-	7.9	8.6
7	21.7	20.6	17.0	14.0	11.0	9.0	7.0	6.2	6.8
8	-	16.0	16.0	13.1	11.0	9.0	7.0	-	5.5
9	-	14.6	14.5	12.3	10.5	9.0	7.0	-	4.6
10	-	12.3	12.4	11.5	10.0	9.0	7.0	-	3.8
12	-	9.1	9.5	9.0	8.9	8.0	7.0	-	2.8
14	-	-	7.4	7.6	7.0	7.1	6.3	-	-
16	-	-	6.0	6.1	5.6	5.6	5.6	-	-
18	-	-	4.9	5.1	4.9	4.8	4.6	-	-
20	-	-	-	4.2	4.3	4.0	3.7	-	-
22	-	-	-	3.6	3.7	3.3	3.0	-	-
24	-	-	-	3.0	3.1	2.7	2.5	-	-
26	-	-	-	-	2.6	2.3	2.0	-	-
28	-	-	-	-	2.2	1.9	1.6	-	-
30	-	-	-	-	-	1.5	1.3	-	-
32	-	-	-	-	-	1.2	0.9	-	-
34	-	-	-	-	-	-	0.7	-	-

WHILE EVERY CARE HAS BEEN TAKEN IN THE PREPARATION OF THE INFORMATION GIVEN IN THIS BOOKLET, AND ALL REASONABLE STEPS HAVE BEEN TAKEN TO CHECK THE ACCURACY OF THE INFORMATION. THE COMPANY CANNOT ACCEPT RESPONSIBILITY FOR ANY INACCURACY IN RESPECT OF ANY MATTER ARISING OUT OF, OR IN CONNECTION WITH THE USE OF THIS BOOKLET.

**Demag AC 50-1 and AC 100 working
inside Thorntons Recycling, 2004**

