

25 TON CITY CRANE

Kato CR250



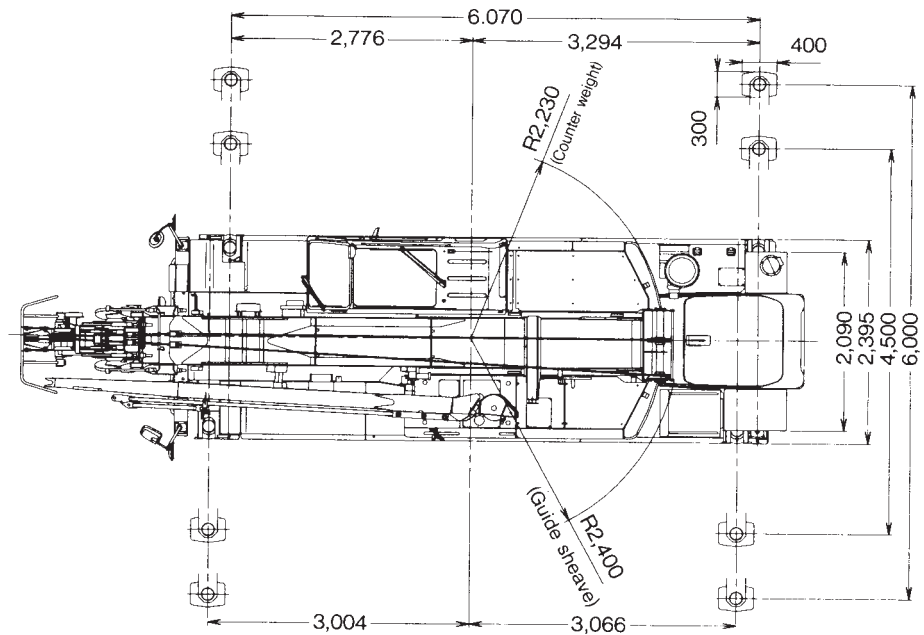
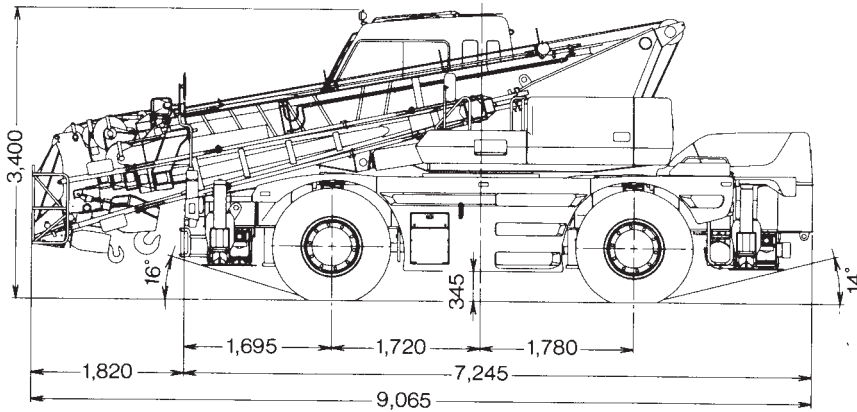
CRANE HIRE LTD.

Hire Desk Tel: +353 1 6268426

Fax: +353 1 6268061

25 TON CITY CRANE

Kato CR250



CRANE HIRE LTD.

Hire Desk Tel: +353 1 6268426

Fax: +353 1 6268061

25 TON CITY CRANE KATO CR 250

Rated lifting capacities [1]

Unit: Metric ton

Working radius (m)	Outriggers fully extended (6.0m)					Outriggers intermediately extended (4.5m)					Outriggers completely retracted (blocked on vertical cylinders) - 360° full range				
	360° full range					360° full range									
	6.7	11.0	15.2	21.6	28.0	6.7	11.0	15.2	21.6	28.0	6.7	11.0	15.2	21.6	28.0
	Boom	Boom	Boom	Boom	Boom	Boom	Boom	Boom	Boom	Boom	Boom	Boom	Boom	Boom	Boom
2.8	25.00	12.00	12.00	-	-	25.00	12.00	12.00	-	-	10.00	9.50	7.90	-	-
3.0	22.00	12.00	12.00	8.00	-	22.00	12.00	12.00	8.00	-	8.75	8.45	7.15	6.50	-
3.5	20.00	12.00	12.00	8.00	-	20.00	12.00	12.00	8.00	-	6.60	6.30	5.65	5.45	-
4.0	17.00	12.00	12.00	8.00	6.50	17.00	12.00	12.00	8.00	6.50	5.10	4.85	4.55	4.55	4.25
4.5	15.00	12.00	12.00	8.00	6.50	15.00	12.00	12.00	8.00	6.50	4.10	3.85	3.70	3.80	3.65
5.0	-	12.00	12.00	8.00	6.50	-	12.00	12.00	8.00	6.50	-	3.10	3.00	3.20	3.15
5.5	-	12.00	12.00	8.00	6.50	-	9.80	9.70	8.00	6.50	-	2.50	2.40	2.70	2.70
6.0	-	12.00	11.50	8.00	6.50	-	8.20	8.10	8.00	6.50	-	2.05	1.95	2.30	2.35
6.5	-	11.30	10.60	8.00	6.50	-	7.00	6.85	7.25	6.50	-	1.60	1.55	1.95	2.00
7.0	-	10.15	9.90	7.85	6.50	-	6.00	5.90	6.55	6.50	-	1.25	1.20	1.65	1.75
8.0	-	7.90	7.80	7.10	5.90	-	4.60	4.50	5.10	5.40	-	0.70	0.60	1.15	1.30
9.0	-	6.20	6.10	6.35	5.35	-	3.60	3.45	4.05	4.40	-	-	-	-	-
10.0	-	-	4.90	5.45	4.80	-	-	2.65	3.30	3.60	-	-	-	-	-
11.0	-	-	4.00	4.60	4.30	-	-	2.05	2.65	3.00	-	-	-	-	-
12.0	-	-	3.25	3.85	3.85	-	-	1.55	2.15	2.50	-	-	-	-	-
13.0	-	-	2.65	3.30	3.50	-	-	1.15	1.75	2.10	-	-	-	-	-
14.0	-	-	-	2.80	3.10	-	-	-	1.40	1.75	-	-	-	-	-
15.0	-	-	-	2.35	2.70	-	-	-	1.15	1.45	-	-	-	-	-
16.0	-	-	-	2.00	2.35	-	-	-	0.90	1.20	-	-	-	-	-
17.0	-	-	-	1.70	2.00	-	-	-	0.70	0.95	-	-	-	-	-
18.0	-	-	-	1.45	1.75	-	-	-	0.50	0.80	-	-	-	-	-
19.0	-	-	-	1.20	1.50	-	-	-	0.35	0.60	-	-	-	-	-
20.0	-	-	(19.7m)	1.05	1.30	-	-	-	-	0.45	-	-	-	-	-
21.0	-	-	-	-	1.15	-	-	-	-	0.35	-	-	-	-	-
22.0	-	-	-	-	0.95	-	-	-	-	-	-	-	-	-	-
23.0	-	-	-	-	0.80	-	-	-	-	-	-	-	-	-	-
24.0	-	-	-	-	0.70	-	-	-	-	-	-	-	-	-	-
25.0	-	-	-	-	0.60	-	-	-	-	-	-	-	-	-	-
26.0	-	-	-	-	0.50	-	-	-	-	-	-	-	-	-	-
Standard hook	for 25 ton (optional)		for 22 ton			for 25 ton (optional)		for 22 ton			for 25 ton (optional)		for 22 ton		
Hook mass	200kg		200kg			200kg		200 kg			200kg		200 kg		
Parts of line	7		4			7		4			7		4		
Critical boom											35°	20°	51°	62°	69°

WHILE EVERY CARE HAS BEEN TAKEN IN THE PREPARATION OF THE INFORMATION GIVEN IN THIS BOOKLET, AND ALL REASONABLE STEPS HAVE BEEN TAKEN TO CHECK THE ACCURACY OF THE INFORMATION. THE COMPANY CANNOT ACCEPT RESPONSIBILITY FOR ANY INACCURACY IN RESPECT OF ANY MATTER ARISING OUT OF, OR IN CONNECTION WITH THE USE OF THIS BOOKLET.

Our Demag AC70 City working for Michael McNamara & Company in Barrow Street, 2005

